

INICIO

MÉDIA C

6ª ETAPA COPA MTC
21/10/2017 RINCAO



IMPORTANTE

**DIRETOR DE PROVA
FABRÍCIO MEDEIROS
(CABRITO)**

Nos trechos urbanos
prevalecem as leis do
código nacional de
trânsito.

É obrigação respeitar as
propriedades alheias e
os moradores.

A organização não se
responsabiliza por
passar a programação de
navegação.

Conferir sequências
numéricas das tulipas
Onde não há referência
mantenha-se na
principal.

**LEVANTAMENTO DA PROVA
MOTO SHERCO COM PNEU
NOVO 10 LIBRAS**

**BOA SORTE A
TODOS!!!!!!!!!!!!!!!!!!!!!!
!!!!!!!!!!!!**

☠	CUIDADO
☠☠	ATENÇÃO
☠☠☠	MUITA ATENÇÃO

Tempo de Prova

MÉDIA C 03:05:48

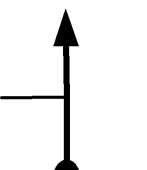


AFERIÇÃO

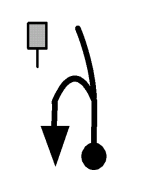
INICIO DA AFERIÇÃO



	0.00		
		1	AFER
	0.03		
		2	AFER
	0.14		
		3	AFER
	0.45		
		4	AFER
	0.66		
		5	AFER
	1.22		
		6	AFER

	1.60	
	7	A FER

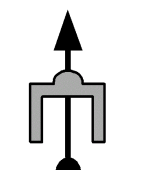
RETORNAR AO INICIO

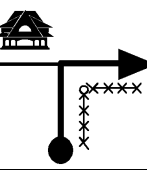
	1.84	
	8	A FER

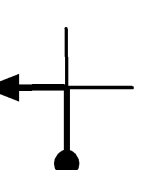


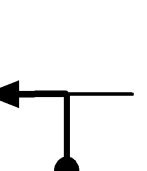
INICIO DE PROVA

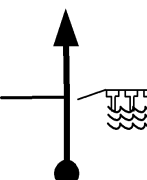
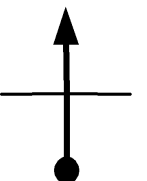
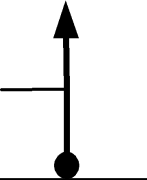
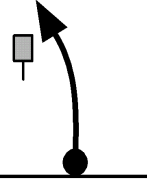
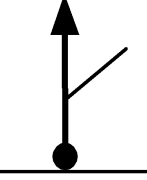
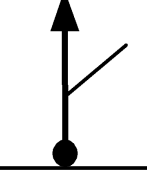
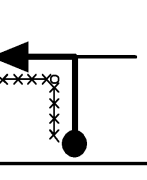
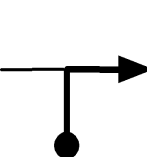
INICIO DA PROVA.

	0.00	
	V 33	00.00.00
	9	T1

	0.03	
	V 33	00.00.03
	10	T1


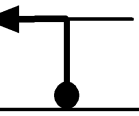
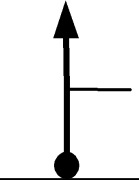
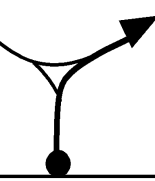
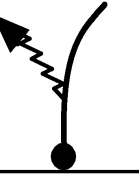
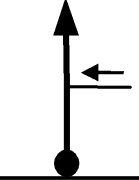
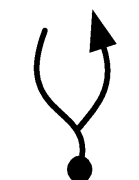

	0.14	
	V 33	00.00.15
	11	T1

	0.45	
	V 33	00.00.49
	12	T1

	0.66
	V 33 00.01.12
	13 T1
	1.22
	V 33 00.02.13
	14 T1
	1.60
	V 33 00.02.55
	15 T1
	1.84
	V 33 00.03.21
	16 T1
	2.04
	V 33 00.03.43
	17 T1
	2.39
	V 33 00.04.21
	18 T1
	2.66
	V 39 00.04.50
	19 T2
	3.27
	V 39 00.05.46
	20 T2

	5.21
	V 39 00.08.46
	21 T2
	5.46
	V 39 00.09.09
	22 T2
	5.64
	V 33 00.09.25
	23 T3
	5.71
	V 33 00.09.33
	24 T3
	6.01
	V 33 00.10.06
	25 T3
	6.14
	V 33 00.10.20
	26 T3
	6.18
	V 33 00.10.24
	27 T3
	6.53
	N 1' 00.11.02
	28 T4

	6.53	
	V 30	00.12.02
	29	T5
	6.72	
	V 42	00.12.25
	30	T6
	7.11	
	V 42	00.12.59
	31	T6
	7.23	
	V 42	00.13.09
	32	T6
	7.53	
	V 42	00.13.35
	33	T6
	7.63	
	V 42	00.13.43
	34	T6
	8.01	
	V 42	00.14.16
	35	T6
	8.34	
	V 42	00.14.44
	36	T6

	8.36	
	N 1'	00.14.46
	37	T7
	8.36	
	V 33	00.15.46
	38	T8
	8.59	
	V 33	00.16.11
	39	T8
	8.72	
	V 33	00.16.25
	40	T8
	8.75	
	V 33	00.16.28
	41	T8
	8.98	
	V 33	00.16.53
	42	T8
	9.12	
	V 33	00.17.09
	43	T8
	9.14	
	V 33	00.17.11
	44	T8

	9.15
	V 33 00.17.12
	45 T8

	9.50
	N 1' 00.17.50
	46 T9

	9.50
	0.00
	V 33 00.18.50
47	T10

	0.18
	V 33 00.19.10
	48 T10

	0.64
	V 33 00.20.00
	49 T10

CAIXA DE AGUA

	0.89
	V 33 00.20.27
	50 T10

	1.14
	V 33 00.20.54
	51 T10

	1.28
	V 33 00.21.10
	52 T11

	1.41	
	V 33	00.21.24
	53	T11

	1.55	
	V 33	00.21.39
	54	T11

	1.84	
	V 30	00.22.11
	55	T12

	2.11	
	V 30	00.22.43
	56	T12

	2.17	
	V 30	00.22.50
	57	T12

VALO










	2.31	
	V 30	00.23.07
	58	T12

VALO

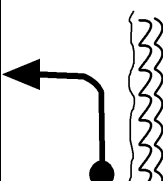
	2.38	
	V 30	00.23.16
	59	T12

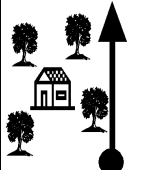


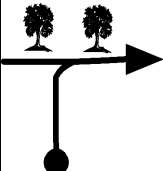
	2.66	
	V 30	00.23.49
	60	T12

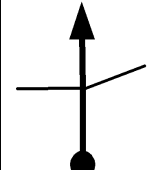
ATOLEIRO	
	2.74
	V 30 00.23.59
	61 T12
	2.79
	V 30 00.24.05
	62 T12
	2.93
	V 27 00.24.22
	63 T13
SIGA BAMP	
	3.08
	V 27 00.24.42
	64 T13
	3.12
	V 27 00.24.47
	65 T13
	3.16
	V 27 00.24.52
	66 T13
	3.23
	V 27 00.25.02
	67 T13
MUITO CUIDADO	
	
	3.28
	V 42 00.25.08
	68 T14

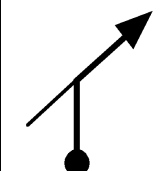
EM DIREÇÃO A CASA

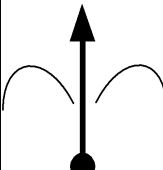
	4.00
	V 36 00.26.10
	69 T15

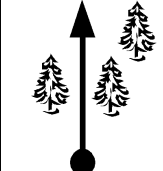
	4.07
	V 36 00.26.17
	70 T15

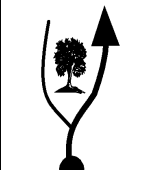
	4.09
	V 36 00.26.19
	71 T15


	4.70
	V 36 00.27.20
	72 T15

	4.87
	V 36 00.27.37
	73 T15


	4.91
	V 36 00.27.41
	74 T15


	4.95
	V 36 00.27.45
	75 T15


	5.29
	V 36 00.28.19
	76 T15


	5.40	
	V 36	00.28.30
	77	T15


CONTORNE A AGUA

	5.44	
	V 36	00.28.34
	78	T15


	5.53	
	V 36	00.28.43
	79	T15


	5.71	
	N 1'	00.29.01
	80	T16


	5.71	
	V 33	00.30.01
	81	T17

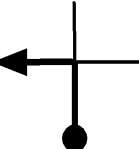
	5.84	
	V 33	00.30.15
	82	T17

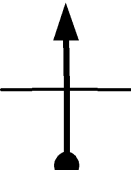
BAMP

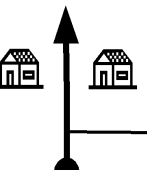
	6.00	
	V 33	00.30.33
	83	T17

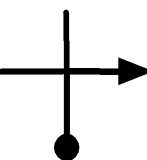
	6.14	
	V 33	00.30.48
	84	T17

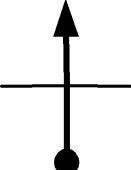
	6.23	
	V 33	00.30.58
	85	T17

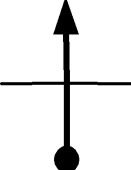
	6.42	
	V 33	00.31.18
	86	T17

	6.45	
	V 33	00.31.22
	87	T17

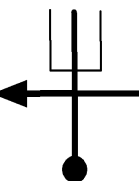
	6.59	
	V 33	00.31.37
	88	T17

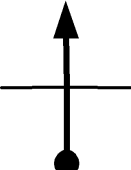
	6.80	
	V 33	00.32.00
	89	T17

	7.07	
	V 33	00.32.29
	90	T17


	7.34	
	V 33	00.32.59
	91	T17

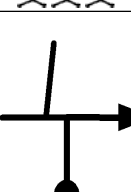
LAJOTA

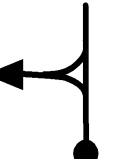
	7.75	
	V 33	00.33.44
	92	T17

	7.90
	V 33 00.34.00
	93 T17


LAGOA

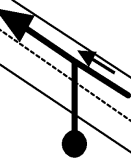
	8.33
	V 33 00.34.47
	94 T17

	9.23
	V 33 00.36.25
	95 T17

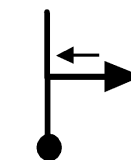
	9.95
	V 33 00.37.44
	96 T17

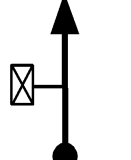
ATENÇÃO

INICIO DESLOCAMENTO	
	

	11.36
	D1'30 00.40.17
	97 T18

FIM DESLOCAMENTO

	11.50
	0.00
	V 27 00.41.47
98 T19	

	0.12
	V 27 00.42.03
	99 T19

	0.24
	V 42 00.42.19
	100 T20
	0.30
	V 42 00.42.24
	101 T20
	0.37
	V 42 00.42.30
	102 T20
	0.45
	V 42 00.42.37
	103 T20
	0.62
	V 42 00.42.52
	104 T20
	0.76
	V 42 00.43.04
	105 T20
	0.92
	V 42 00.43.18
	106 T20
	0.98
	V 42 00.43.23
	107 T20

	1.06	
	V 42	00.43.30
	108	T20

	1.23	
	V 42	00.43.44
	109	T20

	1.26	
	V 42	00.43.47
	110	T20

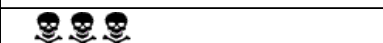
	1.41	
	V 42	00.44.00
	111	T20

VALO

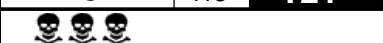
	1.66	
	V 42	00.44.21
	112	T20

ATENÇÃO

INICIO DESLOCAMENTO



	1.96	
	D 2'	00.44.47
	113	T21



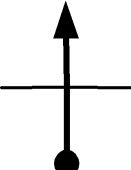
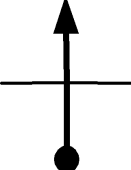
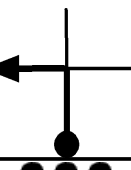

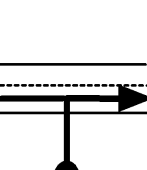
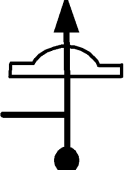
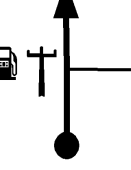
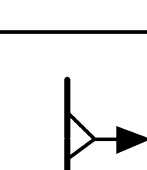

	2.90	
	114	T21


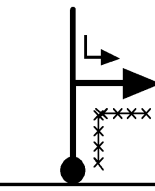
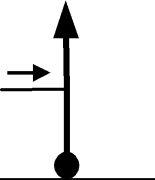
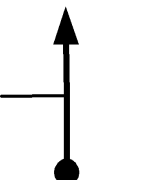
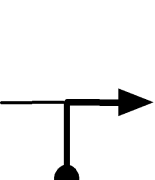

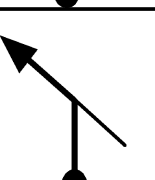
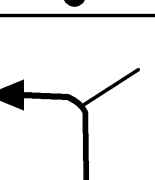
ATENÇÃO

FIM DESLOCAMENTO



	3.04
	V 39 00.46.47
	115 T22
	3.24
	V 39 00.47.05
	116 T22
	3.26
	V 39 00.47.07
	117 T22
	3.32
	V 39 00.47.13
	118 T22
	3.46
	V 39 00.47.26
	119 T22
	3.63
	V 39 00.47.41
	120 T22

	3.79
	V 39 00.47.56
	121 T22
	3.97
	V 39 00.48.13
	122 T22
	4.13
	V 39 00.48.27
	123 T22
	
	4.22
	V 27 00.48.36
	124 T23
	4.36
	V 27 00.48.54
	125 T23
	4.92
	0.00
	V 27 00.50.09
126 T24	
	0.23
	V 27 00.50.40
	127 T24
FIM ASFALTO	
	0.53
	V 27 00.51.20
	128 T24

	1.60	
	N 1'	00.53.42
	129	T25
	1.60	
	V 45	00.54.42
	130	T26
	2.29	
	V 45	00.55.38
	131	T26
	2.64	
	V 45	00.56.06
	132	T26
	3.29	
	V 42	00.56.58
	133	T27
	3.33	
	V 42	00.57.01
	134	T27
	3.37	
	V 42	00.57.04
	135	T27
	3.64	
	V 42	00.57.28
	136	T27

	3.74
	V 42 00.57.36
	137 T27
	3.81
	V 42 00.57.42
	138 T27
	3.87
	V 42 00.57.47
	139 T27
	4.02
	V 42 00.58.00
	140 T27
	4.16
	V 42 00.58.12
	141 T27
	4.25
	V 42 00.58.20
	142 T27
	4.36
	V 42 00.58.29
	143 T27
	4.46
	V 42 00.58.38
	144 T27

	4.61
	V 42 00.58.51
	145 T27
	4.63
	V 42 00.58.52
	146 T27
	4.84
	V 42 00.59.10
	147 T27
	5.25
	V 42 00.59.46
	148 T27
	5.27
	V 42 00.59.47
	149 T27
	5.49
	V 42 01.00.06
	150 T27
	5.60
	V 42 01.00.16
	151 T27
	5.63
	V 42 01.00.18
	152 T27

	5.85	
	V 42	01.00.37
	153	T27
	5.95	
	V 42	01.00.46
	154	T27
	6.00	
	V 42	01.00.50
	155	T27
	6.05	
	V 45	01.00.54
	156	T28
	6.41	
	V 45	01.01.23
	157	T28
	7.11	
	V 42	01.02.19
	158	T29
	7.14	
	V 42	01.02.21
	159	T29
	7.16	
	V 42	01.02.23
	160	T29

	7.38	
	V 42	01.02.42
	161	T29

	7.45	
	V 42	01.02.48
	162	T29

	7.57	
	V 42	01.02.58
	163	T29

	8.07	
	V 42	01.03.41
	164	T29

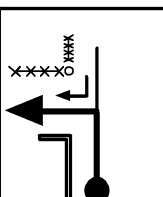
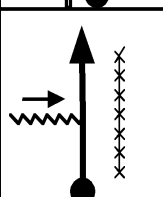
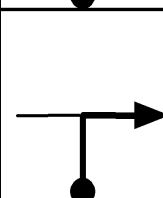
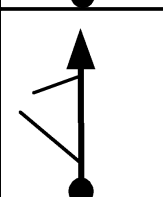
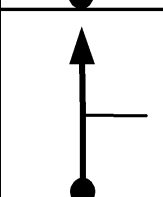

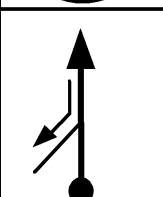
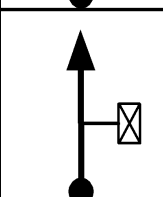
	8.27	
	V 42	01.03.58
	165	T29

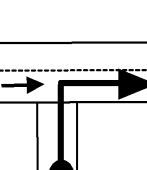


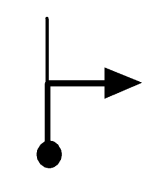
	9.04	
	N 2'	01.05.04
	166	T30

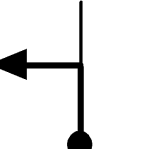


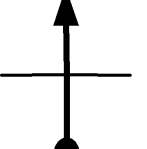
	9.04	
	0.00	
	V 45	01.07.04
	167	T31

	0.30	
	V 45	01.07.28
	168	T31
	0.95	
	V 45	01.08.20
	169	T31
	2.00	
	V 45	01.09.44
	170	T31
	2.05	
	V 27	01.09.48
	171	T32
	2.48	
	V 27	01.10.46
	172	T32
	2.98	
	N 1'	01.11.52
	173	T33
	2.98	
	V 27	01.12.52
	174	T34
	3.10	
	V 27	01.13.08
	175	T34

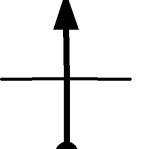
	3.22
V 27	01.13.24
176	T34

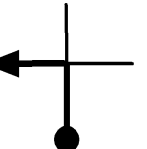
	3.42
V 33	01.13.51
177	T35

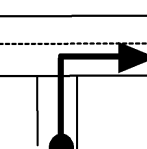
	3.45
V 33	01.13.54
178	T35

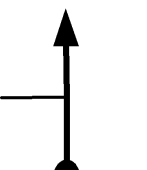
	3.61
V 33	01.14.12
179	T35




	4.10
V 33	01.15.05
180	T35

	4.26
V 33	01.15.23
181	T35

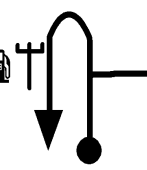
	4.30
V 27	01.15.27
182	T36

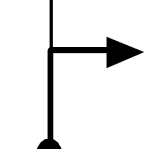
	4.43	
	V 27	01.15.44
	183	T36

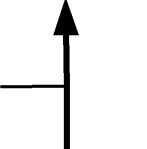
	5.00	
	N 20'	01.17.00
	184	T37

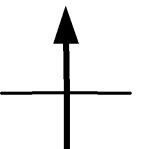
APOIO

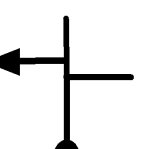
OLHO DAGUA

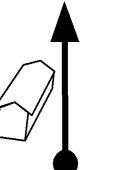
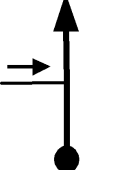
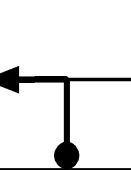
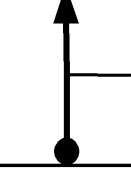
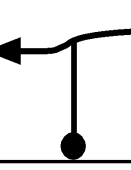
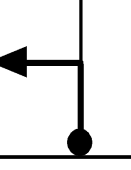
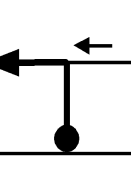
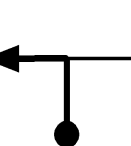
	5.00	
	0.00	
	V 42	01.37.00
	185	T38

	0.56	
	V 42	01.37.48
	186	T38

	1.06	
	V 42	01.38.31
	187	T38

	1.94	
	V 42	01.39.47
	188	T38

	2.12	
	V 42	01.40.02
	189	T38

	2.30	
	V 42	01.40.17
	190	T39
	2.68	
	V 42	01.40.50
	191	T39
	3.00	
	V 42	01.41.17
	192	T39
	3.03	
	V 42	01.41.20
	193	T39
	3.16	
	V 42	01.41.31
	194	T39
	3.49	
	V 42	01.41.59
	195	T39
	3.66	
	V 42	01.42.14
	196	T39
	3.98	
	V 42	01.42.41
	197	T39

	4.01	
	V 42	01.42.44
	198	T39

	4.14	
	V 42	01.42.55
	199	T39

	4.44	
	V 39	01.43.21
	200	T40

	4.47	
	V 39	01.43.24
	201	T40

	4.50	
	V 33	01.43.26
	202	T41

	5.55	
	V 33	01.45.21
	203	T41

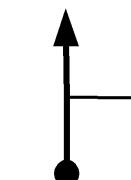

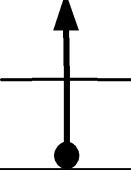
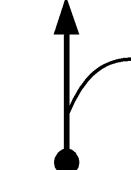


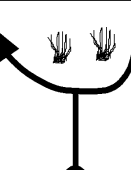
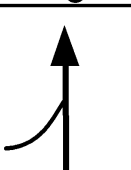
	5.65	
	N 2'	01.45.32
	204	T42

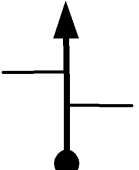
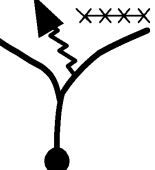
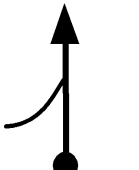
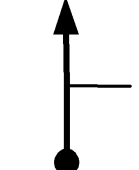
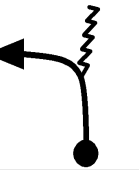
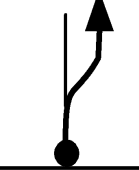
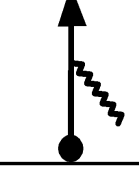
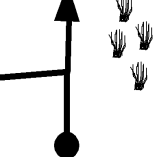


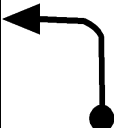
	5.65	
	V 33	01.47.32
	205	T43

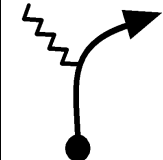
	5.72	
	V 33	01.47.39
	206	T43
	5.79	
	V 33	01.47.47
	207	T43
	6.53	
	V 33	01.49.08
	208	T43
	6.64	
	V 39	01.49.20
	209	T44
	7.05	
	V 39	01.49.58
	210	T44
	7.09	
	V 39	01.50.01
	211	T44
	7.15	
	V 39	01.50.07
	212	T44
	7.44	
	V 42	01.50.34
	213	T45

	7.56
	V 42 01.50.44
	214 T45
	7.89
	V 42 01.51.12
	215 T45
	8.06
	V 42 01.51.27
	216 T45
	8.38
	V 39 01.51.54
	217 T46
	8.40
	V 39 01.51.56
	218 T46
	8.49
	V 39 01.52.04
	219 T46
	8.52
	V 39 01.52.07
	220 T46
	8.68
	V 39 01.52.22
	221 T46


	8.84
	V 39 01.52.37
	222 T46
	8.98
	N 1' 01.52.50
	223 T47
	8.98
	V 39 01.53.50
	224 T48
	9.24
	V 39 01.54.14
	225 T48
	9.29
	V 39 01.54.18
	226 T48
	9.45
	V 39 01.54.33
	227 T48
	9.51
	V 39 01.54.39
	228 T48
	9.56
	V 39 01.54.43
	229 T48

	9.59
	V 39 01.54.46
	230 T48
	9.64
	V 42 01.54.51
	231 T49
	9.81
	V 42 01.55.05
	232 T49
	10.01
	V 42 01.55.22
	233 T49
	10.15
	V 45 01.55.34
	234 T50
	10.70
	V 45 01.56.18
	235 T50
	10.81
	V 45 01.56.27
	236 T50
	10.99
	V 45 01.56.41
	237 T50

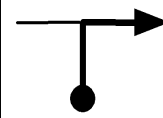
	11.07	
	V 45	01.56.48
	238	T50

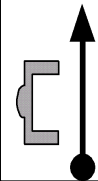
	11.13	
	V 45	01.56.53
	239	T50

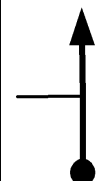


	11.50	
	N 1'	01.57.22
	240	T51



	11.50	
	0.00	
	V 51	01.58.22
241	T52	

	0.94	
	V 51	01.59.29
	242	T52

	1.79	
	V 51	02.00.29
	243	T52

	2.60
	V 51 02.01.26
	244 T52
	2.97
	V 51 02.01.52
	245 T52
	3.11
	V 51 02.02.02
	246 T52
	4.25
	V 51 02.03.22
	247 T52
	4.38
	V 51 02.03.31
	248 T52
	4.75
	V 51 02.03.58
	249 T52
	4.87
	V 36 02.04.06
	250 T53
	4.99
	V 36 02.04.18
	251 T53

MOTO CONTRA



	5.14	
	V 36	02.04.33
	252	T53

	5.23	
	V 36	02.04.42
	253	T53

	5.61	
	V 21	02.05.20
	254	T54

MOTO CONTRA



	5.70	
	V 36	02.05.35
	255	T55

MOTO CONTRA



	6.05	
	V 36	02.06.10
	256	T55

	6.15	
	V 36	02.06.20
	257	T55

	6.17	
	V 36	02.06.22
	258	T55

	6.29	
	V 36	02.06.34
	259	T55
	6.31	
	V 18	02.06.36
	260	T56
	6.33	
	V 18	02.06.40
	261	T56
	6.36	
	V 24	02.06.46
	262	T57
	6.40	
	V 24	02.06.52
	263	T57
	6.51	
	V 33	02.07.09
	264	T58
	6.55	
	V 33	02.07.13
	265	T58
	6.59	
	V 33	02.07.18
	266	T58

	6.68	
	V 33	02.07.27
	267	T58

SIGA BAMP

	6.72	
	V 33	02.07.32
	268	T58

	6.81	
	V 36	02.07.42
	269	T59



	6.94	
	V 36	02.07.55
	270	T59

	7.03	
	V 36	02.08.04
	271	T59

	7.06	
	V 36	02.08.07
	272	T59

	7.18	
	V 30	02.08.19
	273	T60

	7.20	
	V 30	02.08.21
	274	T60

	7.27	
	V 30	02.08.29
	275	T60
	7.29	
	V 30	02.08.32
	276	T60
	7.34	
	V 30	02.08.38
	277	T60
	7.43	
	V 30	02.08.49
	278	T60
	7.48	
	V 30	02.08.55
	279	T60
	7.50	
	V 18	02.08.57
	280	T61
	7.53	
	V 18	02.09.03
	281	T61
	7.55	
	V 18	02.09.07
	282	T61

DESCE BARRANCO

	7.56
	V 24 02.09.09
	283 T62
	7.59
	V 24 02.09.14
	284 T62
	7.70
	V 33 02.09.30
	285 T63
	7.74
	V 33 02.09.34
	286 T63
	7.83
	V 33 02.09.44
	287 T63
	7.94
	V 33 02.09.56
	288 T63
	8.06
	V 42 02.10.09
	289 T64
	8.67
	V 18 02.11.02
	290 T65

	8.77	
	V 33	02.11.22
	291	T66

	9.12	
	V 33	02.12.00
	292	T66

	9.21	
	V 33	02.12.10
	293	T66

	9.23	
	V 33	02.12.12
	294	T66

	9.35	
	V 33	02.12.25
	295	T66

	9.37	
	V 18	02.12.27
	296	T67

	9.41	
	V 18	02.12.35
	297	T67

	9.42	
	V 24	02.12.37
	298	T68

	9.46	
	V 24	02.12.43
	299	T68



	9.57	
	V 33	02.13.00
	300	T69

	9.61	
	V 33	02.13.04
	301	T69

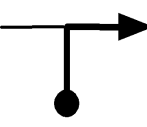

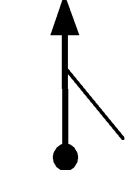
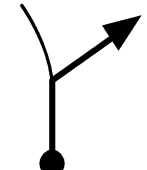
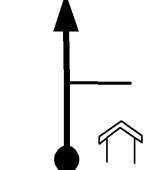
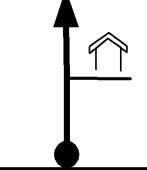
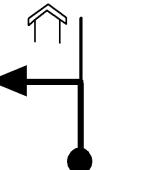
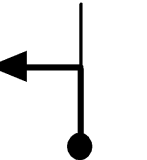
	9.70	
	V 27	02.13.14
	302	T70

	9.92	
	V 27	02.13.43
	303	T70

	9.96	
	V 27	02.13.48
	304	T70

	10.00	
	V 27	02.13.54
	305	T70

	10.07
	V 27 02.14.03
	306 T70
	10.20
	V 27 02.14.20
	307 T70
	10.22
	V 18 02.14.23
	308 T71
	10.24
	V 18 02.14.27
	309 T71
	10.26
	V 24 02.14.31
	310 T72
	10.28
	V 24 02.14.34
	311 T72
	10.31
	V 24 02.14.39
	312 T72
	10.42
	V 33 02.14.55
	313 T73

☠☠☠					
	<table border="1"> <tr><td>10.46</td></tr> <tr><td>0.00</td></tr> <tr><td>V 39 02.14.59</td></tr> <tr><td>314 T74</td></tr> </table>	10.46	0.00	V 39 02.14.59	314 T74
10.46					
0.00					
V 39 02.14.59					
314 T74					
	<table border="1"> <tr><td>0.09</td></tr> <tr><td>N 3' 02.15.08</td></tr> <tr><td>315 T75</td></tr> </table>	0.09	N 3' 02.15.08	315 T75	
0.09					
N 3' 02.15.08					
315 T75					
	<table border="1"> <tr><td>0.09</td></tr> <tr><td>V 39 02.18.08</td></tr> <tr><td>316 T76</td></tr> </table>	0.09	V 39 02.18.08	316 T76	
0.09					
V 39 02.18.08					
316 T76					
	<table border="1"> <tr><td>0.68</td></tr> <tr><td>V 48 02.19.02</td></tr> <tr><td>317 T77</td></tr> </table>	0.68	V 48 02.19.02	317 T77	
0.68					
V 48 02.19.02					
317 T77					
	<table border="1"> <tr><td>1.81</td></tr> <tr><td>V 48 02.20.27</td></tr> <tr><td>318 T77</td></tr> </table>	1.81	V 48 02.20.27	318 T77	
1.81					
V 48 02.20.27					
318 T77					
	<table border="1"> <tr><td>2.41</td></tr> <tr><td>V 48 02.21.12</td></tr> <tr><td>319 T77</td></tr> </table>	2.41	V 48 02.21.12	319 T77	
2.41					
V 48 02.21.12					
319 T77					
	<table border="1"> <tr><td>3.83</td></tr> <tr><td>V 48 02.22.58</td></tr> <tr><td>320 T77</td></tr> </table>	3.83	V 48 02.22.58	320 T77	
3.83					
V 48 02.22.58					
320 T77					
	<table border="1"> <tr><td>4.32</td></tr> <tr><td>V 33 02.23.35</td></tr> <tr><td>321 T78</td></tr> </table>	4.32	V 33 02.23.35	321 T78	
4.32					
V 33 02.23.35					
321 T78					

ATENÇÃO

MOTO CONTRA



	5.14
	V 24 02.25.05
	322 T79

	5.24
	V 24 02.25.20
	323 T79

	5.29
	V 24 02.25.27
	324 T79

	5.39
	V 15 02.25.42
	325 T80

	5.44
	V 15 02.25.54
	326 T80

	5.54
	V 21 02.26.18
	327 T81

MOTO CONTRA



	5.70
	V 18 02.26.46
	328 T82

	5.85
	V 12 02.27.16
	329 T83

	5.94
	V 12 02.27.43
	330 T83

	6.00
	V 12 02.28.01
	331 T83

CUIDADO!

VALO

	6.05
	V 18 02.28.16
	332 T84

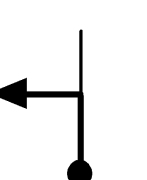
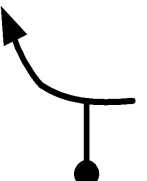
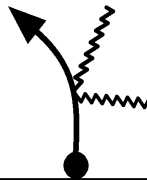
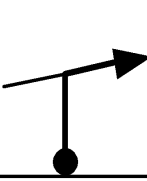
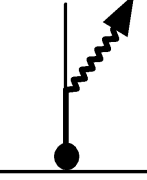

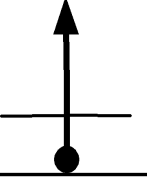
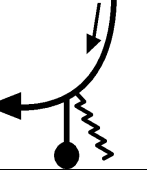
	6.09
	V 18 02.28.24
	333 T84

MOURÃO



	6.15
	V 18 02.28.36
	334 T84

	6.29
	V 12 02.29.04
	335 T85

	6.38
	V 15 02.29.31
	336 T86
	6.42
	V 15 02.29.40
	337 T86
	7.52
	V 15 02.34.04
	338 T86
	7.71
	V 24 02.34.50
	339 T87
	7.75
	V 24 02.34.56
	340 T87
	7.79
	N 3' 02.35.02
	341 T88
	7.79
	V 24 02.38.02
	342 T89
	7.94
	V 24 02.38.24
	343 T89

	8.03
	V 24 02.38.38
	344 T89
	8.08
	V 33 02.38.45
	345 T90
	8.16
	V 33 02.38.54
	346 T90
	8.31
	V 33 02.39.10
	347 T90
	8.38
	V 27 02.39.18
	348 T91
	9.12
	V 33 02.40.57
	349 T92
	9.20
	V 33 02.41.05
	350 T92
	9.46
	V 33 02.41.34
	351 T92

	9.60	
	V 27	02.41.49
	352	T93

	9.87	
	V 33	02.42.25
	353	T94

CUIDADO!

ABISMO



	10.06	
	V 33	02.42.46
	354	T94

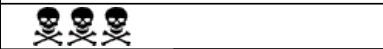
	10.09	
	V 33	02.42.49
	355	T94

	10.40	
	V 33	02.43.23
	356	T94


	10.81	
	V 33	02.44.08
	357	T94

CUIDADO!


ABISMO

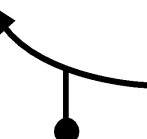


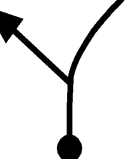
	11.00	
	V 33	02.44.28
	358	T94


	11.03	
	V 33	02.44.32
	359	T94

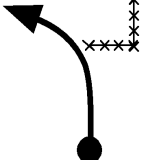


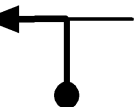
	11.34	
	N 1'	02.45.05
	360	T95

	11.34	
	V 36	02.46.05
	361	T96

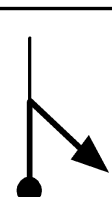
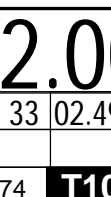
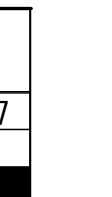





	11.36	
	V 36	02.46.07
	362	T96

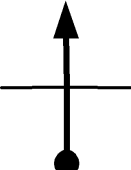
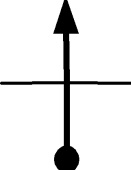
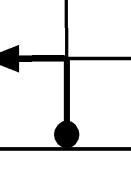
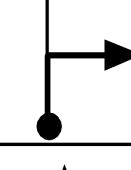
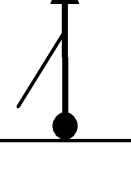


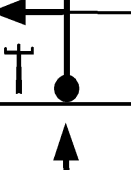
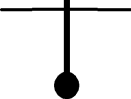
	11.50	
	V 36	02.46.21
	363	T96

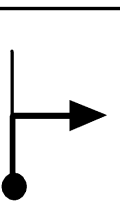
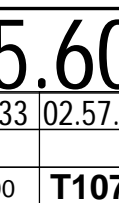
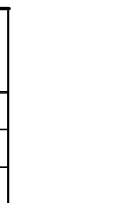





	11.67	
	V 36	02.46.38
	364	T96

	11.75	
	0.00	
	V 33	02.46.46
365	T97	

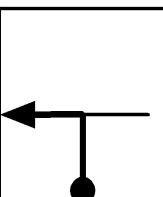
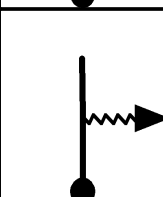

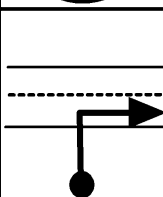
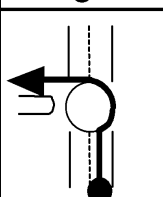
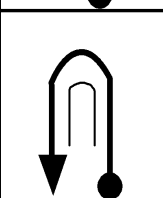
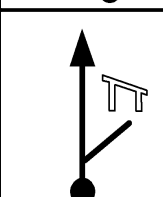
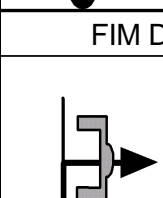
	0.22
	V 15 02.47.10
	366 T98
	0.31
	V 42 02.47.32
	367 T99
	0.52
	V 42 02.47.50
	368 T99
	0.86
	V 42 02.48.19
	369 T99
	0.91
	V 42 02.48.23
	370 T99
	1.39
	V 42 02.49.05
	371 T99
	1.61
	V 42 02.49.23
	372 T99
	1.95
	V 42 02.49.53
	373 T99

	2.00
	V 33 02.49.57
	374 T100
	2.06
	V 33 02.50.03
	375 T100
	2.23
	V 33 02.50.22
	376 T100
	2.26
	V 33 02.50.25
	377 T100
	2.72
	N 1' 02.51.15
	378 T101
	2.72
	V 39 02.52.15
	379 T102
	3.17
	V 39 02.52.57
	380 T102
	3.26
	V 27 02.53.05
	381 T103

	3.40
	V 27 02.53.24
	382 T103
	3.54
	V 27 02.53.43
	383 T103
	3.62
	V 42 02.53.53
	384 T104
	4.55
	V 45 02.55.13
	385 T105
	5.16
	V 45 02.56.02
	386 T105
	5.35
	N 1' 02.56.17
	387 T106
	
	5.35
	V 33 02.57.17
	388 T107
	5.47
	V 33 02.57.30
	389 T107

	5.60	
	V 33	02.57.44
	390	T107
	5.70	
	V 33	02.57.55
	391	T107
	5.85	
	V 33	02.58.11
	392	T107
	6.03	
	V 39	02.58.31
	393	T108
	6.08	
	V 39	02.58.36
	394	T108
	6.17	
	V 39	02.58.44
	395	T108
	6.36	
	V 39	02.59.02
	396	T108
	6.50	
	V 39	02.59.14
	397	T108

	6.70	
	V 39	02.59.33
	398	T108
	6.87	
	V 39	02.59.49
	399	T108
	7.30	
	V 39	03.00.28
	400	T108
	7.37	
	N1'30	03.00.35
	401	T109
	7.37	
	V 30	03.02.05
	402	T110
	7.46	
	V 30	03.02.16
	403	T110
	7.64	
	V 30	03.02.37
	404	T110
	7.73	
	V 30	03.02.48
	405	T110

	7.93	
	V 30	03.03.12
	406	T110
	7.95	
	V 30	03.03.14
	407	T110
	8.16	
	N 1'	03.03.40
	408	T111
	8.16	
	V 27	03.04.40
	409	T112
	8.30	
	V 27	03.04.58
	410	T112
	8.54	
	V 27	03.05.30
	411	T112
	8.64	
	V 27	03.05.44
	412	T112
FIM DE PROVA		
	8.67	
	V 27	03.05.48
	413	T112

FIM DE PROVA !!



www.t15.com.br

Obrigado pela sua
participação

Ate a proxima

Tenha uma boa viagem de
volta para sua casa!!!

Tempo de Prova

MÉDIA C 03:05:48

FIM